

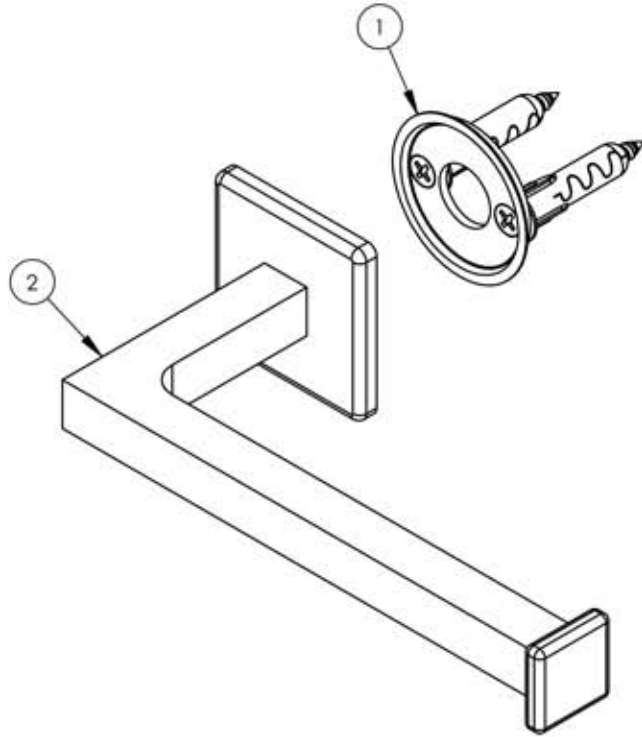
A

B

C

D

E



ITEM NO.	PART NUMBER	DESCRIPTION	QTY.
1	2-098	MOUNTING KIT FOR MIX/EDGE SERIES	1
	30042	WALL MOUNTING PLATE	1
	92043	SCREW, FLAT HD #10 SIZE W/ #2 PHIL DRIVE, 2"L	2
	92046	ANCHOR SCREW 3/8" HOLE, TOGGLER AF10	2
2	3-364/00	ASSY. HAND TOWEL BAR 6", MIX	1
	2-135/00	HAND TOWEL BAR 6", MIX SERIES	1
	10995/00	FINIAL END, PAPER HOLDER 290 MIX SERIES	1
	11482/00	HAND TOWEL BAR ELBOW, MIX SERIES	1
	10936/00	ESCUTCHEON, ACCESORIES MIX SERIES	1
	92005	SET SCREW, CUP PT 6-32UNC THREAD 3/16"L	1
	92033	SCREW, PHILLIPS PAN HD #8-32 x 7/8"L	1

ALL	A	UPDATED DRAWING FOR BETTER CLARITY	7/5/2016	GRE
ZONE	REV.	DESCRIPTION	DATE	APPROVED
REVISIONS				

1261 LOGAN AVENUE COSTA MESA, CALIFORNIA 92626 PHONE: 714.361.4800 FAX: 714.617.3120		<h1>PHYLORICH®</h1> <p>Defining Luxury Since 1959</p>	PROPRIETARY AND CONFIDENTIAL THE INFORMATION CONTAINED IN THIS DRAWING IS THE SOLE PROPERTY OF R3S MANUFACTURING. ANY REPRODUCTION IN PART OR AS A WHOLE WITHOUT THE WRITTEN PERMISSION OF R3S MANUFACTURING IS PROHIBITED.
---	--	---	---

-	-	INTERPRET GEOMETRIC DIMENSIONING & TOLERANCING IN ACCORDANCE WITH ASME Y14.5-2009 & ASME Y14.41-2003 STANDARDS. UNLESS OTHERWISE SPECIFIED, DIMENSIONS ARE IN INCHES. TOLERANCES ARE:		
NEXT ASSY	USED ON	FRACTIONS ±1/64"	DECIMALS X.X: ±.1 X.XX: ±.01 X.XXX: ±.005	ANGULAR ±.5°
APPLICATION		MATERIAL	NAME	DATE
FINISH		DRAWN	LLO	12/16/2014
DO NOT SCALE DRAWING		CHECKED	GRE	

HAND TOWEL BAR 6", MIX SRIES			
SIZE	ASM/PRT NO.	REV	
A	290-75/00	A	
SCALE: 1:2	WEIGHT: lbs.	SHEET 1 OF 2	

5

4

3

2

1